



**State of West Virginia
Request For Quotation
Equipment**

Procurement Folder : 750027

Document Description : Addendum No. 01_D3 Crawler Bulldozer-Stonewall Jackson WMA

Procurement Type : Agency Purchase Order

Date Issued	Solicitation Closes	Solicitation No	Version	Phase
2020-07-15	2020-07-23 13:30:00	ARFQ 0310 DNR2100000002	2	Final

SUBMIT RESPONSES TO:	VENDOR
BID RESPONSE DIVISION OF NATURAL RESOURCES PROPERTY & PROCUREMENT OFFICE 324 4TH AVE SOUTH CHARLESTON WV 25303-1228 US	Vendor Name, Address and Telephone STATE EQUIPMENT, INC. 560 NEW GOFF MOUNTAIN ROAD CROSS LANES, WV 25313 (304)776-4405

FOR INFORMATION CONTACT THE
 James H Adkins
 (304) 558-3397
 jamie.h.adkins@wv.gov

Signature X  **FEIN # 550658298** **DATE 7/22/2020**

All offers subject to all terms and conditions contained in this solicitation

ADDITIONAL INFORMATION:

ADDENDUM

Addendum No. 01 is issued to publish and distribute the attached information to the Vendor Community.

INVOICE TO		SHIP TO	
DIVISION OF NATURAL RESOURCES DISTRICT III OFFICE 163 WILDLIFE RD FRENCH CREEK WV26218 US		DIVISION OF NATURAL RESOURCES STONEWALL JACKSON WILDLIFE MANAGEMENT AREA 114 OLD GEORGETOWN RD ROANOKE WV 26447 US	

Line	Commodity Line Description	Qty	Unit Issue	Unit Price	Total Price
1	Track bulldozers	1.00000	EA	\$130,525.00	\$130,525.00

Commodity Code	Manufacturer	Model #	Specification
22101522	CASE	650M	CRAWLER BULLDOZER

Extended Description

Track bulldozers

SCHEDULE OF EVENTS

Line	Event	Event Date
1	Technical Question Deadline 9:00 A.M.	2020-07-15

DNR210000002	Document Phase Final	Document Description Addendum No. 01_D3 Crawler Bulldozer-Stonewall Jackson WMA	Page 3 of 3
---------------------	--------------------------------	--	------------------------

ADDITIONAL TERMS AND CONDITIONS

See attached document(s) for additional Terms and Conditions

**WEST VIRGINIA DIVISION OF NATURAL RESOURCES
ONE TIME PURCHASE-CRAWLER BULLDOZER FOR STONEWALL JACKSON WMA
EXHIBIT A-PRICING SHEET**

Item Number	Description	Make & Model	Estimated Quantity	Unit Price	Extended Cost
3.1	Crawler Bulldozer	CASE 650M	1	\$130,525.00	\$130,525.00
TOTAL					\$130,525.00

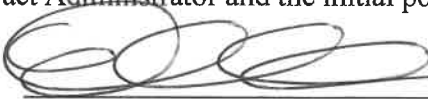
Note: all items are to be F.O.B. destination. Freight or delivery charges must be included in the unit cost.

Vendor Representative: EDDIE ROWAN, JR

Signature: 

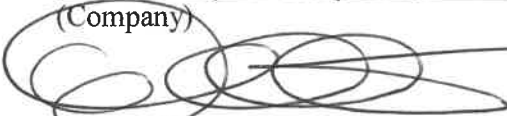
Date: 7-22-2020

DESIGNATED CONTACT: Vendor appoints the individual identified in this Section as the Contract Administrator and the initial point of contact for matters relating to this Contract.


GENERAL MANAGER
(Name, Title)
EDDIE ROWAN, JR. GENERAL MANAGER
(Printed Name and Title)
560 NEW GOFF MOUNTAIN ROAD CROSS LANES, WV 25313
(Address)
(304) 776-4405 (304) 776-4409
(Phone Number) / (Fax Number)
eddie@stateequipment.com
(email address)

CERTIFICATION AND SIGNATURE: By signing below, or submitting documentation through wvOASIS, I certify that I have reviewed this Solicitation in its entirety; that I understand the requirements, terms and conditions, and other information contained herein; that this bid, offer or proposal constitutes an offer to the State that cannot be unilaterally withdrawn; that the product or service proposed meets the mandatory requirements contained in the Solicitation for that product or service, unless otherwise stated herein; that the Vendor accepts the terms and conditions contained in the Solicitation, unless otherwise stated herein; that I am submitting this bid, offer or proposal for review and consideration; that I am authorized by the vendor to execute and submit this bid, offer, or proposal, or any documents related thereto on vendor's behalf; that I am authorized to bind the vendor in a contractual relationship; and that to the best of my knowledge, the vendor has properly registered with any State agency that may require registration.

STATE EQUIPMENT, INC.
(Company)


GENERAL MANAGER
(Authorized Signature) (Representative Name, Title)

EDDIE ROWAN, JR GENERAL MANAGER
(Printed Name and Title of Authorized Representative)

7-22-2020
(Date)

(304) 776-4405 (304) 776-4409
(Phone Number) (Fax Number)

STATE OF WEST VIRGINIA
Purchasing Division

PURCHASING AFFIDAVIT

CONSTRUCTION CONTRACTS: Under W. Va. Code § 5-22-1(i), the contracting public entity shall not award a construction contract to any bidder that is known to be in default on any monetary obligation owed to the state or a political subdivision of the state, including, but not limited to, obligations related to payroll taxes, property taxes, sales and use taxes, fire service fees, or other fines or fees.

ALL CONTRACTS: Under W. Va. Code §5A-3-10a, no contract or renewal of any contract may be awarded by the state or any of its political subdivisions to any vendor or prospective vendor when the vendor or prospective vendor or a related party to the vendor or prospective vendor is a debtor and: (1) the debt owed is an amount greater than one thousand dollars in the aggregate; or (2) the debtor is in employer default.

EXCEPTION: The prohibition listed above does not apply where a vendor has contested any tax administered pursuant to chapter eleven of the W. Va. Code, workers' compensation premium, permit fee or environmental fee or assessment and the matter has not become final or where the vendor has entered into a payment plan or agreement and the vendor is not in default of any of the provisions of such plan or agreement.

DEFINITIONS:

"Debt" means any assessment, premium, penalty, fine, tax or other amount of money owed to the state or any of its political subdivisions because of a judgment, fine, permit violation, license assessment, defaulted workers' compensation premium, penalty or other assessment presently delinquent or due and required to be paid to the state or any of its political subdivisions, including any interest or additional penalties accrued thereon.

"Employer default" means having an outstanding balance or liability to the old fund or to the uninsured employers' fund or being in policy default, as defined in W. Va. Code § 23-2c-2, failure to maintain mandatory workers' compensation coverage, or failure to fully meet its obligations as a workers' compensation self-insured employer. An employer is not in employer default if it has entered into a repayment agreement with the Insurance Commissioner and remains in compliance with the obligations under the repayment agreement.

"Related party" means a party, whether an individual, corporation, partnership, association, limited liability company or any other form or business association or other entity whatsoever, related to any vendor by blood, marriage, ownership or contract through which the party has a relationship of ownership or other interest with the vendor so that the party will actually or by effect receive or control a portion of the benefit, profit or other consideration from performance of a vendor contract with the party receiving an amount that meets or exceed five percent of the total contract amount.

AFFIRMATION: By signing this form, the vendor's authorized signer affirms and acknowledges under penalty of law for false swearing (*W. Va. Code §61-5-3*) that: (1) for construction contracts, the vendor is not in default on any monetary obligation owed to the state or a political subdivision of the state, and (2) for all other contracts, that neither vendor nor any related party owe a debt as defined above and that neither vendor nor any related party are in employer default as defined above, unless the debt or employer default is permitted under the exception above.

WITNESS THE FOLLOWING SIGNATURE:

Vendor's Name: STATE EQUIPMENT, INC

Authorized Signature: [Signature] Date: 7-22-2020

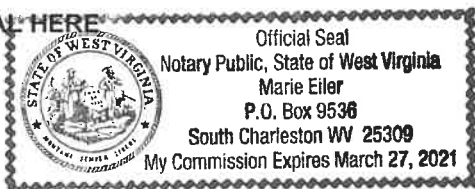
State of WEST VIRGINIA

County of Kanawha, to-wit:

Taken, subscribed, and sworn to before me this 22nd day of July, 2020

My Commission expires March 21, 2021.

AFFIX SEAL HERE



NOTARY PUBLIC Marie Eiler

ADDENDUM ACKNOWLEDGEMENT FORM
SOLICITATION NO.:

Instructions: Please acknowledge receipt of all addenda issued with this solicitation by completing this addendum acknowledgment form. Check the box next to each addendum received and sign below. Failure to acknowledge addenda may result in bid disqualification.

Acknowledgment: I hereby acknowledge receipt of the following addenda and have made the necessary revisions to my proposal, plans and/or specification, etc.

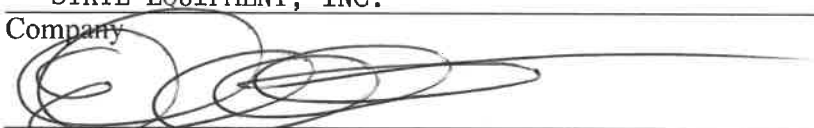
Addendum Numbers Received:

(Check the box next to each addendum received)

<input checked="" type="checkbox"/>	Addendum No. 1	<input type="checkbox"/>	Addendum No. 6
<input type="checkbox"/>	Addendum No. 2	<input type="checkbox"/>	Addendum No. 7
<input type="checkbox"/>	Addendum No. 3	<input type="checkbox"/>	Addendum No. 8
<input type="checkbox"/>	Addendum No. 4	<input type="checkbox"/>	Addendum No. 9
<input type="checkbox"/>	Addendum No. 5	<input type="checkbox"/>	Addendum No. 10

I understand that failure to confirm the receipt of addenda may be cause for rejection of this bid. I further understand that any verbal representation made or assumed to be made during any oral discussion held between Vendor's representatives and any state personnel is not binding. Only the information issued in writing and added to the specifications by an official addendum is binding.

STATE EQUIPMENT, INC.

Company


Authorized Signature

7-22-2020

Date

NOTE: This addendum acknowledgement should be submitted with the bid to expedite document processing.



ENGINE

Model	FPT F5C F5HFL463D*G003
Emissions Certification	Tier 4 Final Certified
Cylinders	4
Displacement	207.5 in ³ (3.4 L)
Fuel injection	Common rail
Fuel	#2 Diesel
Fuel filter	Spin-on w/ in-line strainer
Air intake	Cross-flow
Cooling	Liquid
Engine speeds	RPM
High idle - no load	2340 +/- 50
Rated - full load	2200
Low idle	1100 +/- 25
Horsepower @ 2200 RPM – SAE J1349:	
Net	68 hp (50.6 kW)
Gross	73.8 hp (55 kW)
Engine lubrication:	
Pump	Deep sump plate cooler w/ pressurized under-piston nozzles
Pump operating angle ratings:	
Side-to-side	35°
Fore and aft	45°
Oil filtration	Replaceable, spin-on full-flow cartridge
Radiator:	
Core size area	367.5 in ² (2 370.8 cm ²)
Rows of tubes	24
Fan:	
Diameter	20 in (500 mm)
Ratio	1.1:1

DRIVETRAIN

Dual path hydrostatic:	
Pump	Variable axial piston
Motor	Variable bent axis piston
Max. drawbar pull*	39,086 lb (173.9 kN)
Transmission	Single lever control – electronic straight tracking
Transmission oil filter	4 micron, spin-on replaceable
Travel speeds*:	
Forward	5.0 mph (8 kph)
Reverse	5.0 mph (8 kph)
Parking brakes	Heavy-duty, spring-applied, hydraulic pressure release
Steering brakes	Hydrostatic
Final drive	2 helical gear reduction to planetary output
Ratio	62.4:1
Transmission cooling:	
Type	Oil to air
Core size	216.9 in ² (1 399.3 cm ²)

NOTE: *Measured using standard track chain. Increase travel speeds by 4% and reduce drawbar pull by 4% with the optional Max-Life track chain.

ELECTRICAL

Alternator	120 amp
Battery	12-volt low-maintenance 925 cold-cranking amps @ 0° F (-18 C)
Electrical system	12 Volts

OPERATOR ENVIRONMENT

Optional ROPS cab; Single lever control for speed, steering and direction; Forward/reverse speed ratio selector; Adjustable armrests; Foot rests; Retractable seat belt, 2 in (51 mm); Rear view mirror; Seat tilts for access.

Warning lights:
Air filter; Alternator; Engine oil pressure; Diagnostic fault indicator; Engine coolant; temperature; Engine oil pressure; Low fuel level; Park brake engaged; Service soon indicator; Transmission temperature; Hi range; Hydraulic filter; Transmission filter; Transmission pressure.

Gauges:
Battery voltage; Fuel level; Digital hourmeter/tachometer/diagnostics/service reminder; Transmission oil temperature; Water temperature.

Audible warnings:
Engine oil pressure; Transmission pressure; Engine coolant temperature; Low fuel level; Transmission charge pressure; Transmission/hydraulic temperature.

OPERATING WEIGHT

Unit equipped w/ ROPS, full fuel tank, 170 lb (77 kg) operator, track guides, backup alarm, horn and lights.	
Long track	15,803 lb (7 168 kg)
Wide track	16,405 lb (7 441 kg)
Low ground pressure	16,839 lb (7 638 kg)
Add-on weights:	
Drawbar	128 lb (58 kg)
Ripper – 3 shank	1,400 lb (635 kg)
Winch	1,861 lb (844 kg)
Front counterweight	838 lb (380 kg)
Cab	1,874 lb (850 kg)
Max-Life chain	115 lb (52 kg)
Center rockguard	157 lb (71 kg)
Sweeps	110 lb (50 kg)
Dual batteries	60 lb (27 kg)
90 in blade	925 lb (420 kg)
96 in blade	1,001 lb (454 kg)
109 in blade	1,121 lb (508 kg)
120 in blade	1,235 lb (560 kg)
SALT w/ 15.6 in closed shoe	2,533 lb (1 149 kg)
Max-Life w/ 15.6 in open shoe	2,595 lb (1 177 kg)
SALT w/ 20 in closed shoe	2,889 lb (1 310 kg)
Max-Life w/ 20 in open shoe	2,951 lb (1 338 kg)
SALT w/ 24 in closed shoe	3,210 lb (1 456 kg)
Max-Life w/ 24 in open shoe	3,272 lb (1 484 kg)

HYDRAULICS

Pump flow @ 2000 RPM @ 3,000 psi (20 880 kPA)	20.3 gpm (78.8 L/min)
Lift cylinder	Two (2)
Bore diameter	3.50 in (88.9 mm)
Rod diameter	1.75 in (44.4 mm)
Stroke	15.53 in (394.5 mm)
Angle cylinder	Two (2)
Bore diameter	3.50 in (88.9 mm)
Rod diameter	1.75 in (44.5 mm)
Stroke	13.46 in (342.0 mm)
Tilt cylinder	One (1)
Bore diameter	3.50 in (88.9 mm)
Rod diameter	1.75 in (44.4 mm)
Stroke	5.39 in (137 mm)

SERVICE CAPACITIES

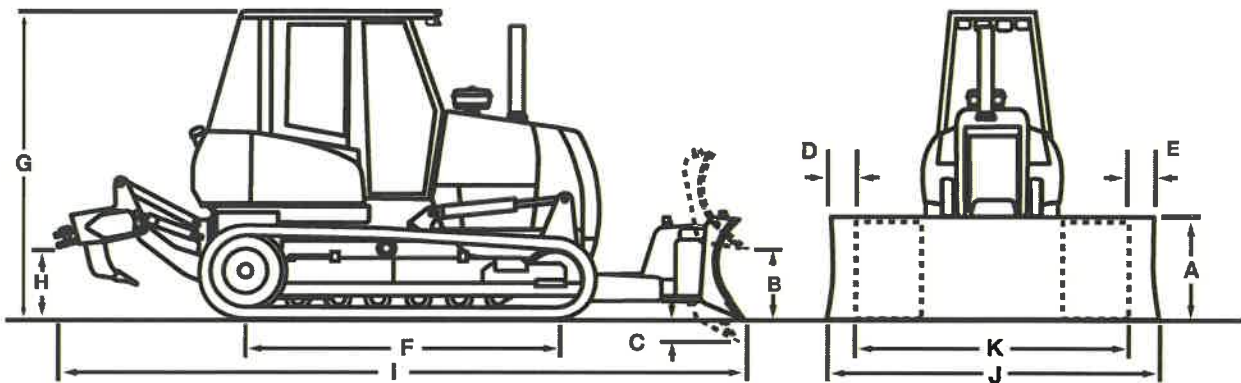
Fuel tank	40.8 gal (154.4 L)
Engine oil w/ filter	13 qt (12.3 L)
Engine oil w/o filter	12.2 qt (11.5 L)
Engine cooling system	23.9 qt (22.6 L)
Hydraulic reservoir	16.5 gal (72.7 L)
Final drive – per side	16 qt (15.1 L)
Track rollers – each	0.16 qt (0.15 L)
Front idlers – each	0.34 qt (0.326 L)
Carrier rollers – each	0.13 qt (0.136 L)

OTHER SPECIFICATIONS

Undercarriage:	
Track adjustment	Hydraulic
Frame	Rigid suspension
Length of track on ground:	85 in (2 159 mm)
Track link pitch	6.125 in (155.575 mm)
Track shoe height	2.06 in (52 mm)
Pin diameter	1.125 in (28.575 mm)
Bushing diameter:	
SALT track	2.13 in (54 mm)
Max-Life track	2.68 in (68 mm)
Bolt diameter	0.625 in (16 mm)
Track shoes per side	40
Track rollers per side	6
Carrier rollers per side	1
Track roller rail diameter	5.98 in (152 mm)

Track on ground:	
Shoe area:	
15.6 in (395 mm)	2,644 in ² (17 056 cm ²)
20 in (508 mm)	3,372 in ² (21 755 cm ²)
24 in (610 mm)	4,083 in ² (26 340 cm ²)
Track:	
Long Track:	
15.6 in (395 mm) closed grousers and SALT	
15.6 in (395 mm) open grousers and Max-Life	
Wide Track:	
15.6 in (395 mm) closed grousers and SALT	
15.6 in (395 mm) open grousers and Max-Life	
20 in (508 mm) closed grousers and SALT	
20 in (508 mm) open grousers and Max-Life	
LGP:	
24 in (610 mm) closed grousers and SALT	
24 in (610 mm) open grousers and Max-Life	

Blade:	
Variable blade pitch	52° – 60°
Lift speed – per second	19.7 in (500 mm)
Cutting edge	Reversible, replaceable
Width	8.0 in (203 mm)
Thickness	0.625 in (16 mm)
Ripper:	
Max. penetration:	15.3 in (389 mm) w/ grousers penetrated – see below
Width	73.1 in (1 856 mm)
Cut width	70.1 in (1 781 mm)
Max. ground clearance	15.5 in (393 mm)
Points	Replaceable
Max. number of shanks	3
Tooth spacing:	
w/ 3 teeth	31 in (785 mm)
Hydraulic cylinder	
Diameter	3.9 in (99.02 mm)
Stroke	8.4 in (213 mm)
Rod	1.75 in (44.5 mm)



Line drawings are for illustrative purpose only and may not be exact representation of unit.

DIMENSIONS

	Long Track (LT)	Long Track (LT, WT)	Wide Track (WT)	Low Ground Pressure (LGP)
Blade width	90 in (2 286 mm)	96 in (2 438 mm)	109 in (2 769 mm)	120 in (3 048 mm)
SAE blade capacity	1.58 yd ³ (1.21 m ³)	1.69 yd ³ (1.29 m ³)	2 yd ³ (1.48 m ³)	2.15 yd ³ (1.64 m ³)
A. Blade height	33.1 in (841 mm)	33.1 in (841 mm)	33.1 in (841 mm)	33.1 in (841 mm)
B. Blade lift above ground	35.1 in (892 mm)	35.1 in (892 mm)	35.1 in (892 mm)	35.1 in (892 mm)
C. Blade depth below ground	21.0 in (533 mm)	21.0 in (533 mm)	21.0 in (533 mm)	21.0 in (533 mm)
Blade angle both directions	22.7°	22.7°	22.7°	22.7°
D. Cast reach	11.4 in (288.4 mm)	14.1 in (358.7 mm)	12.3 in (312.7 mm)	15.4 in (390.7 mm)
E. Cut reach	-0.37 in (-9.5 mm)	2.39 in (60.8 mm)	0.58 in (14.7 mm)	3.65 in (92.8 mm)
Blade tilt, each end – up to 9.7°	7.72 in (196 mm)	8.23 in (209 mm)	9.33 in (237 mm)	10.28 in (261 mm)
Track gauge	56.47 in (1.43 m)	56.47 in (1.43 m)	68 in (1.73 m)	68 in (1.73 m)
Maximum shoe width	15.6 in (395 mm)	15.6 in (395 mm)	20 in (508 mm)	24 in (610 mm)
F. Length of track on ground:				
Max-Life	85 in (2.16 m)	85 in (2.16 m)	85 in (2.16 m)	85 in (2.16 m)
Area of track on ground	2,644 in ² (1.71 m ²)	2,644 in ² (1.71 m ²)	3,400 in ² (2.19 m ²)	4,083 in ² (2.63 m ²)
Ground pressure	5.98 psi (41.2 kPa)	5.98 psi (41.2 kPa)	6.07 psi (41.9 kPa)	4.12 psi (28.4 kPa)
G. Height to top of ROPS	8 ft 8 in (2 648 mm)	8 ft 8 in (2 648 mm)	8 ft 8 in (2 648 mm)	8 ft 8 in (2 648 mm)
Height to top of cab				
with air conditioning	8 ft 9 in (2 653 mm)	8 ft 9 in (2 653 mm)	8 ft 9 in (2 653 mm)	8 ft 9 in (2 653 mm)
H. Ground clearance	13.07 in (332 mm)	13.07 in (332 mm)	13.07 in (332 mm)	13.07 in (332 mm)
Length:				
Blade straight with drawbar	13 ft 8 in (4 180 mm)	13 ft 8 in (4 180 mm)	13 ft 8 in (4 180 mm)	13 ft 8 in (4 180 mm)
I. Blade straight with ripper	16 ft 3 in (4 951 mm)	16 ft 3 in (4 951 mm)	16 ft 3 in (4 951 mm)	16 ft 3 in (4 951 mm)
Width:				
J. Blade straight	7 ft 6 in (2 286 mm)	8 ft 0 in (2 438 mm)	9 ft 1 in (2 769 mm)	10 ft 0 in (3 048 mm)
Blade angled	7 ft 1 in (2 159 mm)	7 ft 7 in (2 299 mm)	8 ft 7 in (2 613 mm)	9 ft 5 in (2 871 mm)
K. Over track	6 ft 0 in (1 829 mm)	6 ft 0 in (1 829 mm)	7 ft 0 in (2 122 mm)	7 ft 8 in (2 337 mm)

STANDARD EQUIPMENT

OPERATOR ENVIRONMENT

See page 1

ENGINE

FPT F5C F5HFL463D*G003
Tier 4 Final Certified
Dual DOC
CEGR
Automatic fan belt tensioner
Integral engine oil cooling
Fuel filter
Dual element radial seal air cleaner
120 amp alternator
925 CCA 12-volt battery
Engine side panel
Anti-freeze to -34°F
Pusher fan
Radiator – Anti-sandblast

DRIVETRAIN

Dual path infinitely variable, single-lever controlled hydrostatic drive with electronic straight tracking & counter-rotation
Final drive:
Triple reduction; helical gear/planetary decelerator with hydrostatic drive retardation
Decelerator with hydrostatic drive retardation
Automatic spring-applied parking brake
10 incremental speed settings - Operator preference settings for max speed, shuttle sensitivity and steering sensitivity

OPTIONAL EQUIPMENT

OPERATOR ENVIRONMENT

Cab with heater, 22,700 BTU (6.65 kW)/hr air conditioner, defroster, front windshield washer and 2F-1R lights
3 in (76 mm) seat belt
Deluxe air suspension seat

HYDRAULICS

4 spool hydraulic valve for field-installed ripper

REAR MOUNTED EQUIPMENT

Ripper, parallelogram 5 slots with 3 shanks

BLADE

52° – 60° variable pitch
Single lever control for blade lift, angle and tilt
90 in (2.29 m) blade 650M LT
96 in (2.44 m) blade 650M LT/WT
109 in (2.8 m) blade 650M WT
120 in (3.0 m) blade 650M LGP

UNDERCARRIAGE

Hydraulic track adjusters
Easy clean track covers
Case sealed and lubricated track chain
Permanently lubricated track and carrier rollers
H.D. track covers
Track adjuster guard
Track gauge – 56 in or 68 in
Track guides – front and rear
Length of track on ground – 85 in
High visibility track idler
Heavy duty track frame, sprocket and mounting pads

OTHER

Anti-vandalism package
Backup alarm
Hinged grill
Decelerator
Final drive seal guard
Hand throttle

BLADES

90 in (2.29 m)
96 in (2.44 m)
109 in (2.77 m)
120 in (3.05 m)

GUARDS

Brush guards (Sweeps)
Center rockguard

SCREENS

Rear ROPS and cab
Side ROPS
Radiator brush screen

Horn

Work lights:

2 front
1 rear

Master disconnect switch

Mirror

Operator's manual enclosure

O-ring face seal hydraulic fittings

Pre-cleaner

Vertical spin-on hydraulic/filters

Hydraulics – 3 spool valve

Fuse circuit protection

Single key start switch

Pre-wired for work lights

Two additional power sources available for heater, air seat or auxiliary 12 volt power port

Crankcase

Transmission bottom

CASE ProCare – 3-yr/3000-hr factory warranty, 3-yr/2000-hr planned maintenance and SiteWatch™ Telematics

TELEMATICS

CASE SiteWatch™ Telematics – includes hardware and a 3-yr Advanced data subscription

OTHER

Case Max-Life track
Cold start aid (Grid Heater)
Counterweight, front
Drawbar
Front pull hook
Lights – halogen, 2 front, 1 rear for cab or ROPS
Retrieval hitch
Special paint
Turbo precleaner
Winch drive PTO
Rear Wiper for cab
Lights without brush guard
Lights with brush guard
Diagnostics check fittings
Environmental drains
Lift/Tow decals (Export)

CaseCE.com

©2019 CNH Industrial America LLC. All rights reserved. CASE is a trademark registered in the United States and many other countries, owned by or licensed to CNH Industrial N.V., its subsidiaries or affiliates. CNH Industrial Capital is a trademark in the United States and many other countries, owned by or licensed to CNH Industrial N.V., its subsidiaries or affiliates. Printed in U.S.A. Contains 10% post-consumer fiber.

IMPORTANT: CASE Construction Equipment Inc. reserves the right to change these specifications without notice and without incurring any obligation relating to such change. Availability of some models and equipment builds vary according to the country in which the equipment is used. The illustrations and text may include optional equipment and accessories and may not include all standard equipment. Your CASE dealer/distributor will be able to give you details of the products and their specifications available in your area.



CASE Construction Equipment is biodiesel-friendly. NOTE: All engines meet current EPA emissions regulations. All specifications are stated in accordance with SAE Standards or Recommended Practices, where applicable.



Always read the Operator's Manual before operating any equipment. Inspect equipment before using it, and be sure it is operating properly. Follow the product safety signs and use any safety features provided.

Form No. CCE201908650M

Replaces Form No. CCE201905650M

650M

3 of 3